

T-SLOT DETAIL

PROPRIETARY AND CONFIDENTIAL
 THE INFORMATION CONTAINED IN THIS DRAWING IS THE SOLE PROPERTY OF SmartVisionLights. ANY REPRODUCTION IN PART OR AS A WHOLE WITHOUT THE WRITTEN PERMISSION OF SmartVisionLights IS PROHIBITED.

| UNLESS OTHERWISE SPECIFIED: | | NAME | DATE |
|--------------------------------------|--|--------------------------|--------------|
| DIMENSIONS ARE IN MM | | DRAWN | RH 10/4/2022 |
| TOLERANCES: | | CHECKED | 10/4/2022 |
| FRACTIONAL ± | | ENG APPR. | 10/4/2022 |
| ANGULAR: BEND ± 3° | | MFG APPR. | 10/4/2022 |
| ONE PLACE DECIMAL ±.1 | | Q.A. | |
| TWO PLACE DECIMAL ±.13 | | COMMENTS: | |
| THREE PLACE DECIMAL ±.127 | | UNITS ARE IN MILLIMETERS | |
| INTERPRET GEOMETRIC TOLERANCING PER: | | DO NOT SCALE DRAWING | |
| MATERIAL | | | |
| FINISH | | | |

| | | | | |
|------------|-------------|--------------|--------------|--|
| | | | SVL PART NO. | |
| | | | LHI 300 | |
| SIZE | ENG DWG NO. | REV | | |
| B | LHI 300 | 1 | | |
| SCALE: 1:5 | WEIGHT: | SHEET 1 OF 1 | | |

4

3

2

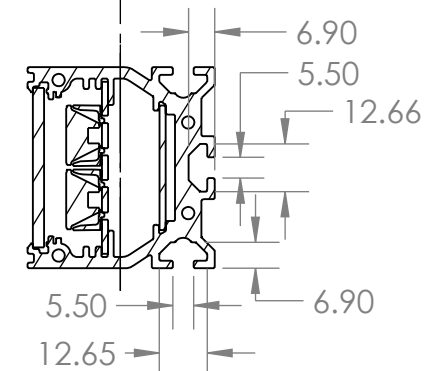
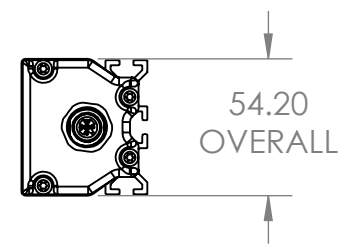
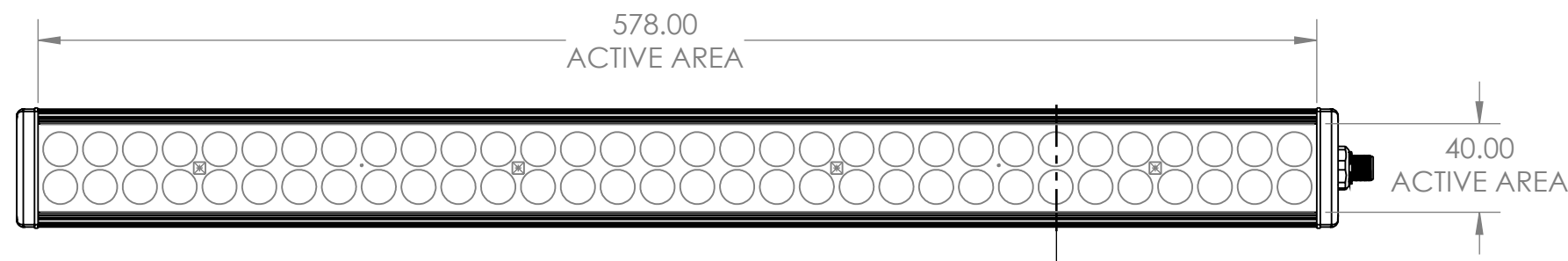
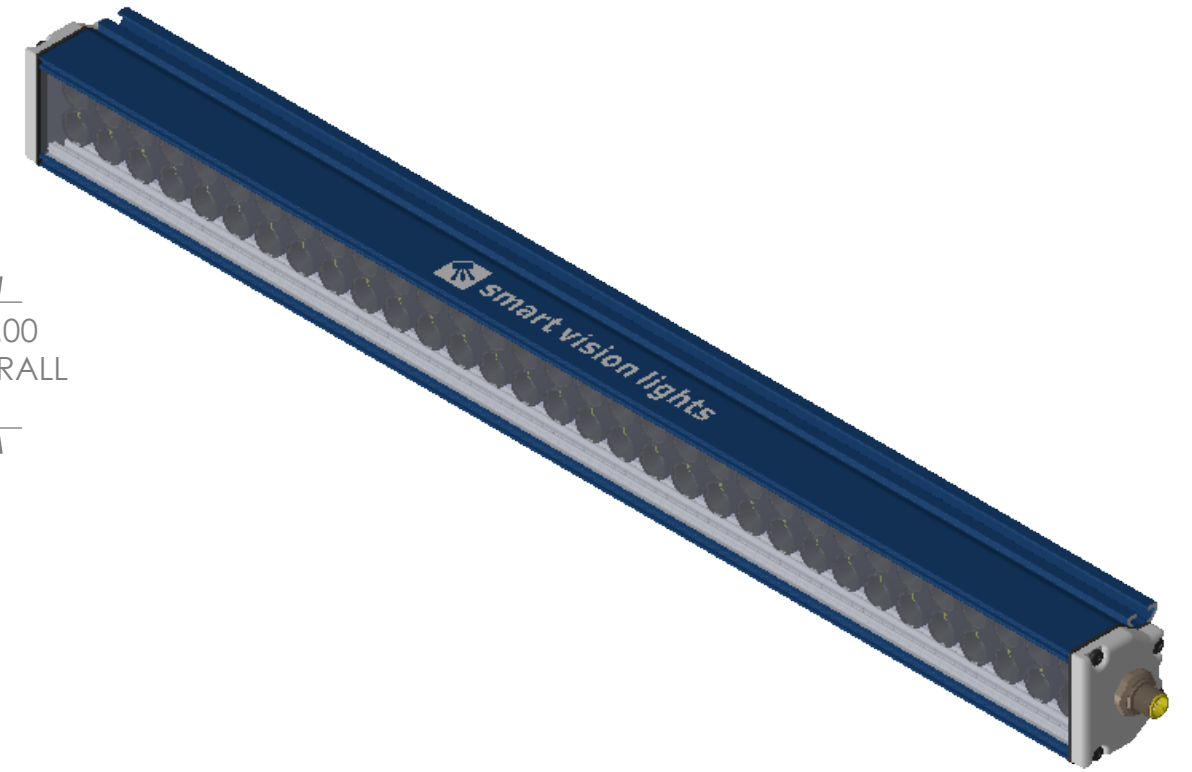
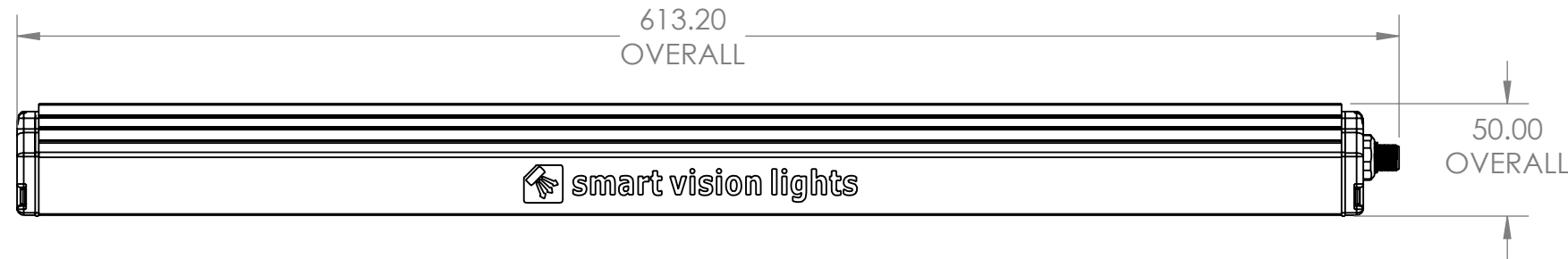
1

B

B

A

A



T-SLOT DETAIL
SCALE 2:1

PROPRIETARY AND CONFIDENTIAL
THE INFORMATION CONTAINED IN THIS DRAWING IS THE SOLE PROPERTY OF SmartVisionLights. ANY REPRODUCTION IN PART OR AS A WHOLE WITHOUT THE WRITTEN PERMISSION OF SmartVisionLights IS PROHIBITED.

| | | | |
|--------------------------------------|----------|--------------------------|--------------|
| UNLESS OTHERWISE SPECIFIED: | | NAME | DATE |
| DIMENSIONS ARE IN MM | | DRAWN | RH 10/4/2022 |
| TOLERANCES: | | CHECKED | 10/4/2022 |
| FRACTIONAL ± | | ENG APPR. | 10/4/2022 |
| ANGULAR: BEND ± 3° | | MFG APPR. | 10/4/2022 |
| ONE PLACE DECIMAL ±.1 | | Q.A. | |
| TWO PLACE DECIMAL ±.13 | | COMMENTS: | |
| THREE PLACE DECIMAL ±.127 | | UNITS ARE IN MILLIMETERS | |
| INTERPRET GEOMETRIC TOLERANCING PER: | MATERIAL | | |
| FINISH | | | |
| DO NOT SCALE DRAWING | | | |

| | | | | |
|------------|-------------|--------------|--------------|--|
| | | | SVL PART NO. | |
| | | | LHI 600 | |
| SIZE | ENG DWG NO. | REV | | |
| B | LHI 600 | 1 | | |
| SCALE: 1:5 | WEIGHT: | SHEET 1 OF 1 | | |